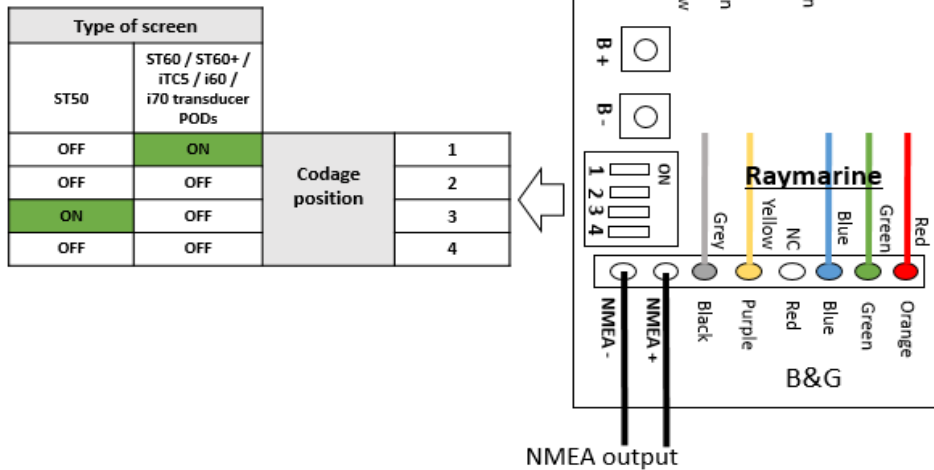


8 OPTION STBG

8.1 RAYMARINE CONFIGURATION: INSTALLATION DIAGRAM



8.1.1 CONNECTIONS

To access the connections and settings, remove the housing cover by hand.

Depending on the type and model of the display, configure the coding position number (4-way switch) and refer to the colour indications according to the table and diagram above.

For example, for a ST50 display, switches 1-2-4 are set to OFF and switch 3 to ON.

8.1.2 COMMISSIONING

Once you have completed your connections, refer to the Raymarine manual for sensor alignment using the function provided by your display. With the STBG option, you also have access to all your usual functions.

To align the masthead, you can press B+ (+1°) and B- (-1°).

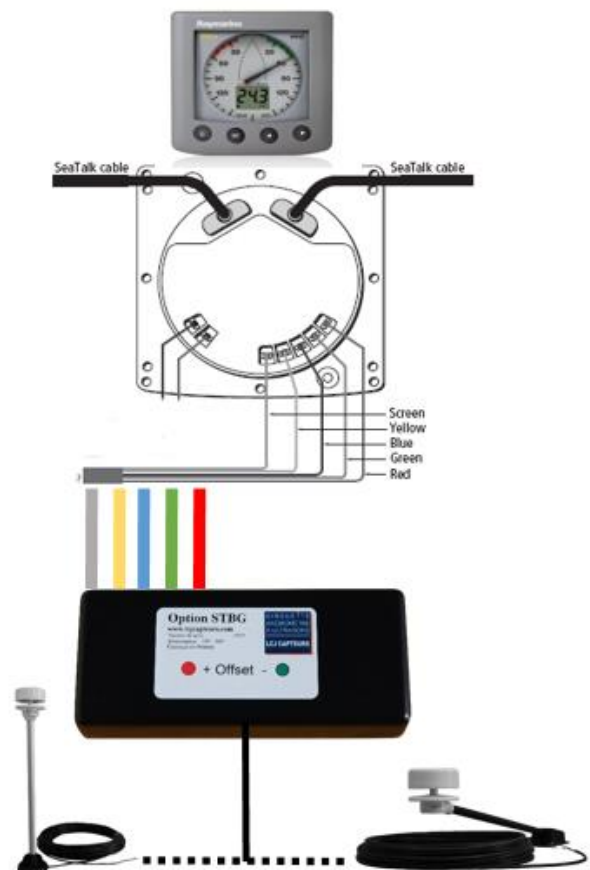
8.1.3 APPLICATION

After selecting the coding switches (1,2,3 or 4 depending on your display) and configuring the sensor alignment, the power must be turned off and on again for the update. However, this step is not necessary if you only want to correct the angle by pressing the B+/B- keys.

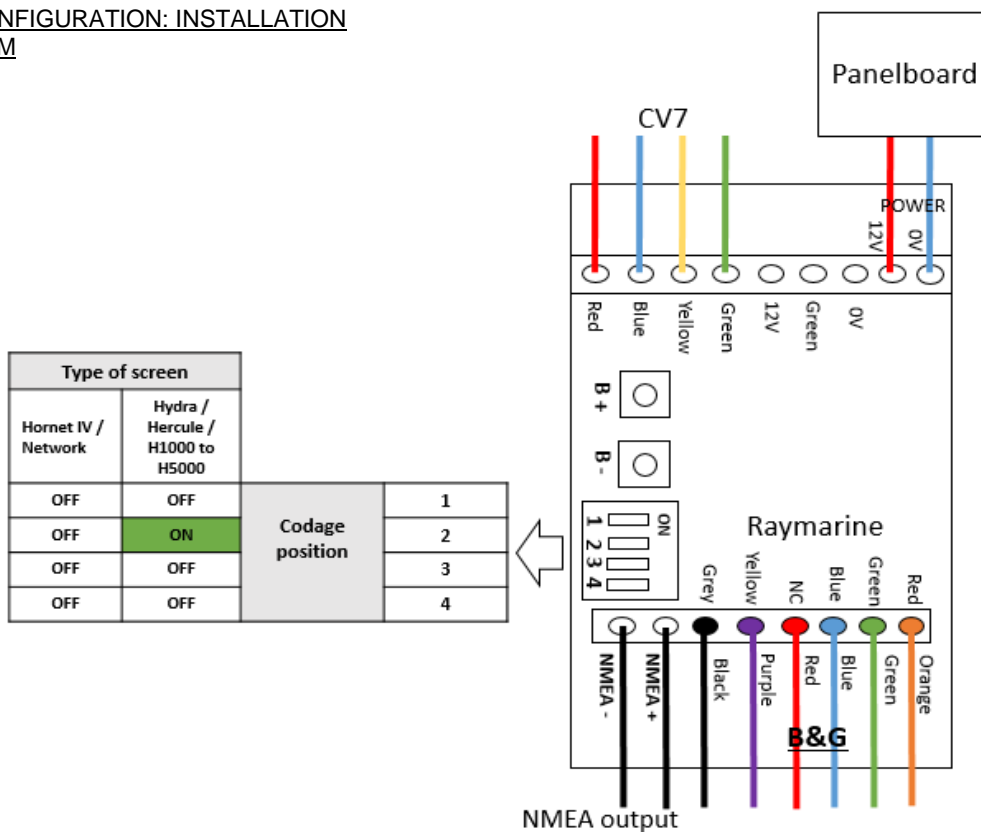
8.1.4 DIMENSIONS

131 x 58 x 25 mm / 80 gr

8.1.5 RAYMARINE DISPLAY: TYPICAL INSTALLATION OVERVIEW



8.2 **B&G CONFIGURATION: INSTALLATION
DIAGRAM**



8.2.1 **CONNECTIONS**

To access the connections and settings, remove the housing cover by hand.

Depending on the type and model of the display, configure the coding position number (4-way switch) and refer to the colour indications according to the table and diagram above.

For example, for a HYDRA display, switches 1-3-4 are set to OFF and switch 2 to ON.

8.2.2 **COMMISSIONING**

Once you have completed your connections, refer to the B&G manual for sensor alignment using the function provided by your display. With the STBG option, you also have access to all your usual functions.

To align the masthead, you can press B+ (+1°) and B- (-1°).

8.2.3 **APPLICATION**

After selecting the coding switches (1,2,3 or 4 depending on your display) and configuring the sensor alignment, the power must be turned off and on again for the update. However, this step is not necessary if you only want to correct the angle by pressing the B+/B- keys.

8.2.4 **DIMENSIONS**

131 x 58 x 25 mm / 80 gr

8.2.5 **B&G DISPLAY: TYPICAL INSTALLATION
OVERVIEW**

